









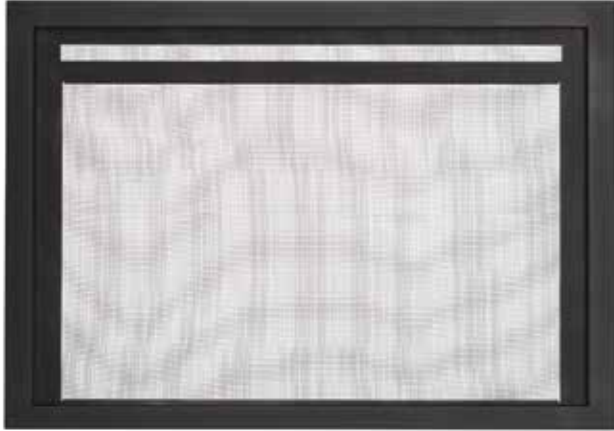


## GAS FIREBRICK INSERTS

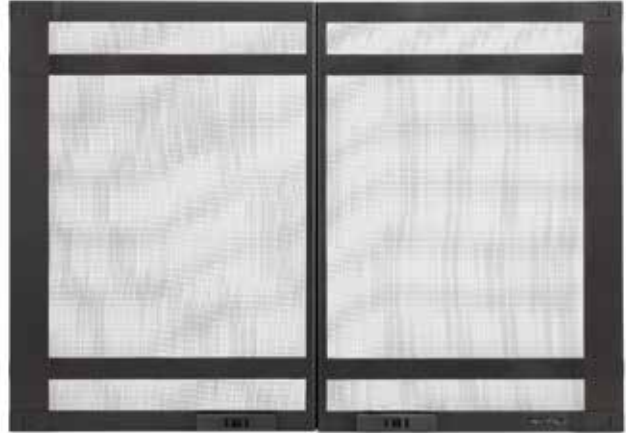
### STEP 4 CUSTOMIZE YOUR INSERT

Make it your own. Select a front and termination cap to complete your dramatic look.

#### FRONTS & DOORS



Firescreen Front



Halston Operable Door



Iron Age Front



Vision Operable Door\* (with incorporated surround)



Chateau Forge Front (Available in hammered steel only)



Galleria Operable Door



Black (BK)



New Bronze (NB)



Graphite (GT)

\* Vision operable doors should be in the open position if operating an optional blower (GFK-210). Not available in large surround size.

## GAS FIREBRICK INSERTS

### TERMINATION CAPS

A termination cap finishes your gas insert with a clean, upscale look. And, these durable caps also protect venting components and ensure safe exhaust flow.



Round Termination Cap



Square Termination Cap - Available in black or copper finish

### ADDED AMBIANCE

Illuminated ember beds and accent lighting create an ultimate fireside experience—with or without flames or heat output.



### DIRECT VENT TECHNOLOGY

Direct Vent fireplaces remove 100% of combustion exhaust and odors outside of the home. These sealed fireplaces provide optimal heat, conserve energy and ensure clean, safe indoor air quality.

To learn more about Direct Vent Technology, scan the code to the right with your smartphone, or visit [heatnglo.com](http://heatnglo.com).



### INTELLIFIRE PLUS IGNITION SYSTEM AND WIRELESS RC300 CONTROL



The IntelliFire™ Plus Ignition System (IPI Plus) is an advanced intermittent pilot ignition system with memory settings and a programmable wireless control. IPI Plus constantly monitors ignition, ensures safe functioning and conserves up to \$10/month in energy costs.

To learn more about IntelliFire Technology, scan the code to the right with your smartphone, or visit [heatnglo.com](http://heatnglo.com).



**INTELLIFIRE PLUS RC300** The RC300 incorporates an LCD screen, intuitive menus and large control buttons. This wireless control offers flexibility to either mount on the wall or use as a remote. This control comes standard with all Heat & Glo FireBrick inserts.

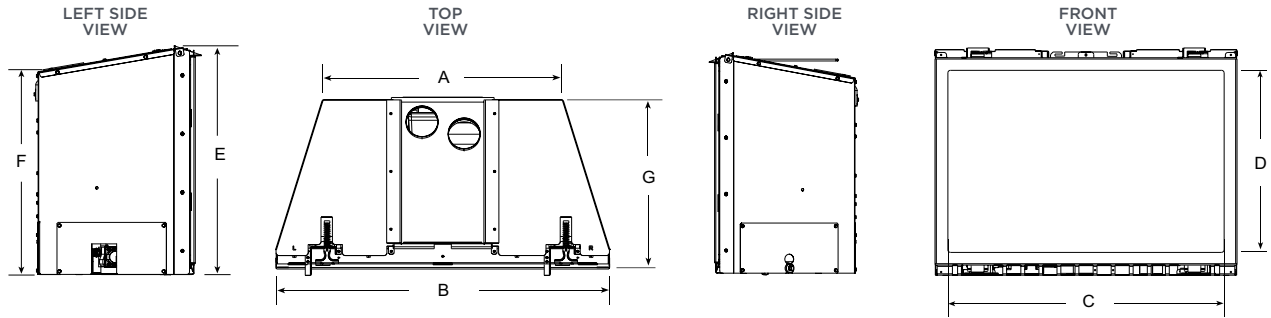
**Model:** RC300-HNG

**Features:** Auto Battery Backup, Pilot Activation, On/Off, 5 Step Flame Height, Fan Speed (Auxiliary 1), Two Additional Auxiliary Functions, Room Temperature Readout, Thermostat Mode, Timer Mode, Child Lock, Wall Docking Station



# GAS FIREBRICK INSERT SPECIFICATIONS

MODEL	FRONT WIDTH		BACK WIDTH		HEIGHT		DEPTH		GLASS SIZE	Btu/Hour Input (NG)
	UNIT	MIN. FIREBOX OPENING	UNIT	MIN. FIREBOX OPENING	UNIT	MIN. FIREBOX OPENING	UNIT	MIN. FIREBOX OPENING		
ESCAPE-I35, ESCAPE-I35LP	34-3/4 [882]	35 [889]	25-1/4 [641]	25-1/2 [648]	24-5/8 [626]	24-7/8 [632]	17 [432]	18-1/4 [464]	31-1/2 x 20 [800 x 508]	20,000 - 40,000
ESCAPE-I30, ESCAPE-I30LP	30 [762]	30-1/4 [768]	21-1/4 [552]	21-1/2 [546]	22-9/16 [573]	22-7/8 [581]	15-5/8 [397]	16-7/8 [429]	26-3/4 x 18 [679 x 457]	17,000 - 36,000



MODEL	A	B	C	D	E	F	G
ESCAPE-I35, ESCAPE-I35LP	25-1/4 [641]	34-3/4 [864]	31-1/2 [800]	20 [508]	24-5/8 [626]	21-11/16 [551]	17 [432]
ESCAPE-I30, ESCAPE-I30LP	21-1/4 [552]	30 [762]	26-3/4 [679]	18 [457]	22-9/16 [573]	19-15/16 [506]	15-5/8 [397]

Dimensions above are in inches. Reference dimensions only. We recommend measuring individual units at installation. NOTE: Combustible material should not be installed over the face. Make sure you do NOT cover the decorative door opening.

Refer to installation manual for detailed specifications on installing this product. Heat & Glo reserves the right to update units periodically. The flame and ember appearance may vary based on the type of fuel burned and the venting configuration used. Pictures in this brochure are not a true representation of the fireplace and/or flames.

## U.S. EFFICIENCIES

**Steady State** - Since most homeowners use their fireplaces for an extended time while they are in the room, Steady State measures how efficiently your fireplace converts fuel to heat once it is warmed up and running in a "steady state".

**AFUE** - AFUE rating is more typically used with appliances, like your furnace, that continually cycle on and off to maintain a constant temperature.

RATING	ESCAPE-I35	ESCAPE-I35LP	ESCAPE-I30	ESCAPE-I30LP
Steady State	85.8%	86.0%	85.8%	85.5%
AFUE	73.1%	73.8%	70.1%	70.0%

## CANADA EFFICIENCIES

**EnerGuide (CSA P.4.1-02)** - EnerGuide is a rating used in Canada to measure annual fireplace efficiency.

RATING	ESCAPE-I35	ESCAPE-I35LP	ESCAPE-I30	ESCAPE-I30LP
EnerGuide (CSA P.4.1-02)	72.9%	73.8%	68.8%	69.3%

For complete information on this model, please contact us at:

# HEAT & GLO

No one builds a better fire

A brand of Hearth & Home Technologies®  
 7571 215th Street West, Lakeville, MN 55044  
 Web: [heatnglo.com](http://heatnglo.com)  
 Phone: (888) 427-3973 (952) 985-6000  
 E-mail: [info@heatnglo.com](mailto:info@heatnglo.com)

- [facebook.com/HeatandGlo](https://facebook.com/HeatandGlo)
- [twitter.com/HeatandGlo](https://twitter.com/HeatandGlo)
- [youtube.com/HeatandGlo](https://youtube.com/HeatandGlo)

HNG-1095U-0214

## LIMITED LIFETIME WARRANTY\*

The strongest in the industry, Heat & Glo provides a limited lifetime warranty on the most important aspects: firebox and heat exchanger.

\*For full warranty details, go to [www.heatnglo.com](http://www.heatnglo.com). Fireplace glass and other surfaces get extremely HOT and can cause severe burns if touched. Do not remove the protective safety screen from the front of the glass. Keep a safe distance away. To learn more visit [www.heatnglo.com/fireplacesafety](http://www.heatnglo.com/fireplacesafety)

